

BADU® Delta-MK

Sealless pump for salt water pools.
Extension of the quiet BADU Delta range.

Fields of application

Swimming pool water circulation through a filter system.
The pump can be installed max. 1.5 m above or 3 m below water level.

Design

Monoblock-type pump with integrated strainer tank.
Motor/pump shaft has no contact with the pool water providing complete electrical separation.
Strainer tank capacity approx. 4 l
Strainer basket mesh size approx. 2.2 x 2.2 mm

Also available with alternative material combinations for chemical applications.

Materials used

Pump housing	PP GF 30
Intermediate housing/gland housing	PP GF 30
Lid for gland housing	PP GF 10
Can	PP GF 30
Intermediate flange	PP GF 30
Pump feet	ABS GF 20
Unions/glue sockets	ABS/PVC-U
Diffuser	PP GF 30
Impeller	PPE GF 30
Strainer basket	PP
Lid	PC, transparent/PA 66 GF 30
Slide bearing	SiC/SiC
Elastomers	NBR
Screws	stainless steel

Technical data at 50 Hz	BADU Delta-MK	8	12	16	20	27
Inlet Sa/outlet connection Da d ⁴⁾		50/50	63/63	63/63	63/63	63/63
Rec. inlet/outlet pipe, PVC pipe, d ⁴⁾		50/50	63/63	63/63	63/63	75/75
Power input P ₁ /output P ₂ ¹⁾ (kW)	1~ 230 V	0.50/0.30	0.65/0.45	0.97/0.65	1.10/0.75	1.40/1.00
Rated current (A)	1~ 230 V	2.60	3.20	4.70	5.20	6.70
Power input P ₁ /output P ₂ ¹⁾ (kW)	3~ Y/Δ 400/230 V	0.50/0.30	0.63/0.45	0.97/0.65	0.93/0.75	1.26/1.00
Rated current (A)	3~ Y/Δ 400/230 V	1.00/1.75	1.25/2.15	1.75/3.00	1.95/3.40	2.25/3.90

For more detailed information regarding the motor protection please see page 147.

Technical data may vary.

Article no	Description	Voltage	Power output P ₂
210.3080.338	BADU Delta-MK 8	1~ 230 V	0.30 kW
210.3120.338	BADU Delta-MK 12	1~ 230 V	0.45 kW
210.3160.338	BADU Delta-MK 16	1~ 230 V	0.65 kW
210.3200.338	BADU Delta-MK 20	1~ 230 V	0.75 kW
210.3270.338	BADU Delta-MK 27	1~ 230 V	1.00 kW
210.3080.337	BADU Delta-MK 8	3~ Y/Δ 400/230 V	0.30 kW
210.3120.337	BADU Delta-MK 12	3~ Y/Δ 400/230 V	0.45 kW
210.3160.337	BADU Delta-MK 16	3~ Y/Δ 400/230 V	0.65 kW
210.3200.337	BADU Delta-MK 20	3~ Y/Δ 400/230 V	0.75 kW
210.3270.337	BADU Delta-MK 27	3~ Y/Δ 400/230 V	1.00 kW

Universal opening device included in delivery. See page 136.



Transparent lid with integrated LED lighting



Circulation pumps, self-priming



www.tuv.com
ID 0000021507

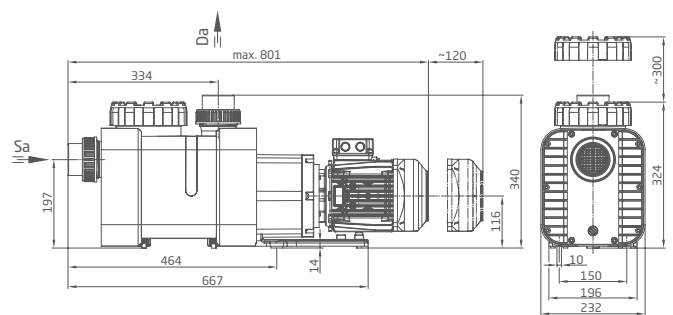
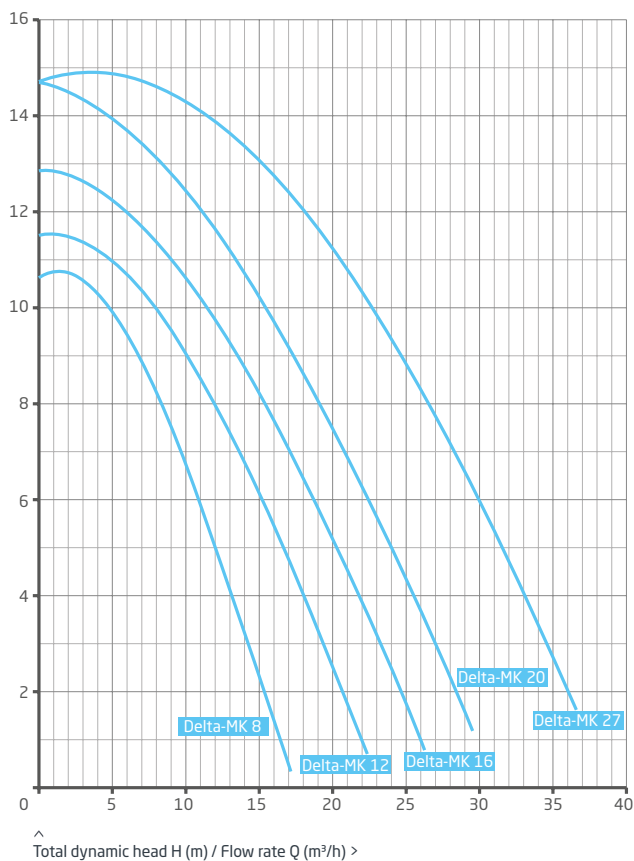


requested



Characteristics

Dimensions



Detailed dimensions available on request.